



aerospace
climate control
electromechanical
filtration
fluid & gas handling
hydraulics
pneumatics
process control
sealing & shielding



Crankcase Ventilation

Products and Custom Solutions



ENGINEERING YOUR SUCCESS.

Table of Contents

Closed Crankcase Ventilation (CCV).....	3-5
Market Challenges and Overview.....	3
Features and Benefits.....	4
Product Specifications.....	5
Open Crankcase Ventilation (CV).....	6-7
Features and Benefits.....	6
Product Specifications.....	7
CCV Part Numbering and Hose Kits.....	8-9
CCV3500, CCV4500, CCV6000.....	8
CCV8000 and CCV12000.....	9
CCV Hose and Fitting Kits.....	9
Marine Air Filter Series.....	10
90° Hose Adapters.....	10
Hose Barbs.....	10
Bulk Hose Kits and Adapters.....	10
CCV8000 Conversion Kits.....	11
CCV Heater Kits.....	11
Electronic Remote Filter Gauge.....	11
Filter Gauge.....	11
Heavy-Duty Wear Spacers.....	11
Tap Sleeves.....	11



Closed Crankcase Ventilation

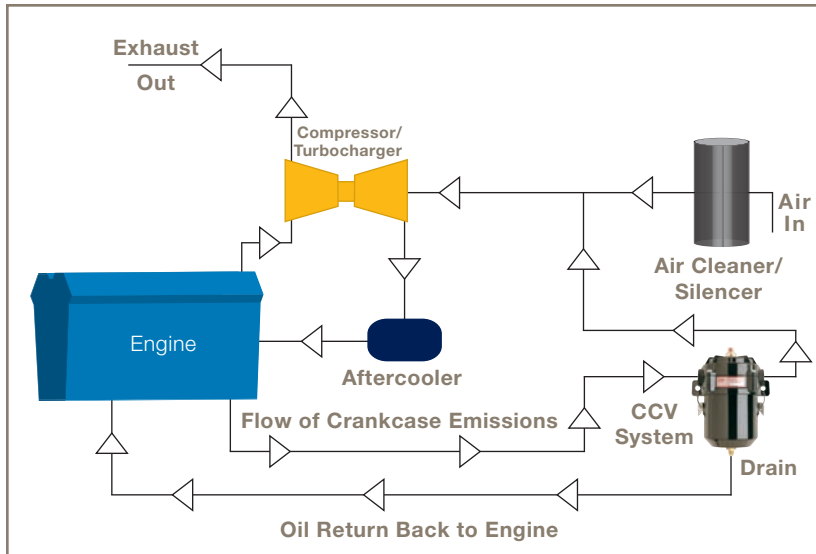
Market Challenges and Overview

The Problem – Engines Releasing Pollutants Through Unfiltered Breathers

Environmental concerns and legislation to control crankcase emissions have increased significantly. To further reduce the total emissions of engines, in some applications it is becoming necessary to close the crankcase breather system, routing these gases into the air intake system.

Crankcase blow-by is produced when combustion gases under high pressure are blown past the piston rings into the crankcase. As these blow-by gases pass through the crankcase, they become contaminated. Racor's Crankcase Ventilation System removes these contaminations. The exhaust can then be allowed to vent to the atmosphere.

For applications requiring more stringent emissions requirements, a closed crankcase filter is recommended. In this application, the exhaust from the crankcase filter is routed to the inlet side of the turbo. A regulator in the crankcase filter controls the vacuum in the crankcase to ensure proper operation.



CCV4500KIT01 is currently being used in many different front and rear engine configurations.



CCV4500 installed on a CAT engine.



CCV3551KIT01 installed on a Mercedes Sprinter Van.

- In closed environments like generator sets and marine engine rooms, damage to surrounding equipment such as radiators and electronic control panels can cause hazardous conditions, down time, and expensive maintenance.

- Oil mist will coat and contaminate the aftercooler and other engine components. This coating reduces engine cooling capacity, causes a degradation of engine performance and reliability over time, and shortens the useful service life of the engine components.

- The engine intake inhales contaminated gasses, clogging air filter systems, and damaging turbocharger components. It is imperative that oil mist be removed from the crankcase emissions prior to introduction into the engine air intake in closed breather systems.

Racor CCV Systems

In a robust, compact package, the patented Racor Closed Crankcase Ventilation (CCV) Filter System provides superior oil coalescence and crankcase pressure control under the most severe conditions.

The only routine maintenance required for the CCV system is filter replacement. Typical service life of the high-performance filter in diesel applications is 750 hours. Some variations in service life occur depending on load profile, engine wear condition, flow and aerosol mass concentration of crankcase emissions, and soot concentration.

How To Select A CCV Assembly:

CCV systems are designed to handle various crankcase flow rates up to 50 CFM. Traditionally, the crankcase flow rate can be calculated as follows: rated horsepower \div 40 = cubic feet per minute (CFM). This formula can only be used as a guide since recent improvements in piston design have produced engines with higher horsepower and lower blow-by flow rates. The blow-by flow rate of a worn engine, at time of overhaul, is generally double the flow rate when the engine is new. The flow rate of a worn engine is factored into the formula. Note: Specify left or right-hand inlet when ordering.

Examples:

CAT 3116
260 HP / 40 = 6.5 CFM
Select CCV4500

CAT 3406
525 HP / 40 = 13.13 CFM
Select CCV6000

Closed Crankcase Ventilation Features and Benefits



Pop-up style indicator alerts of bypass condition and need for filter change.

Unique crankcase pressure regulator with integral bypass valve minimizes variation in crankcase pressure. Excessive variation in crankcase pressure can damage seals, cause loss of oil, and other problems.

Choose left or right-hand inlet. Available with or without bypass indicator.

High-efficiency oil separation to 0.3 micron.

Stainless steel latches for tool-less element change.

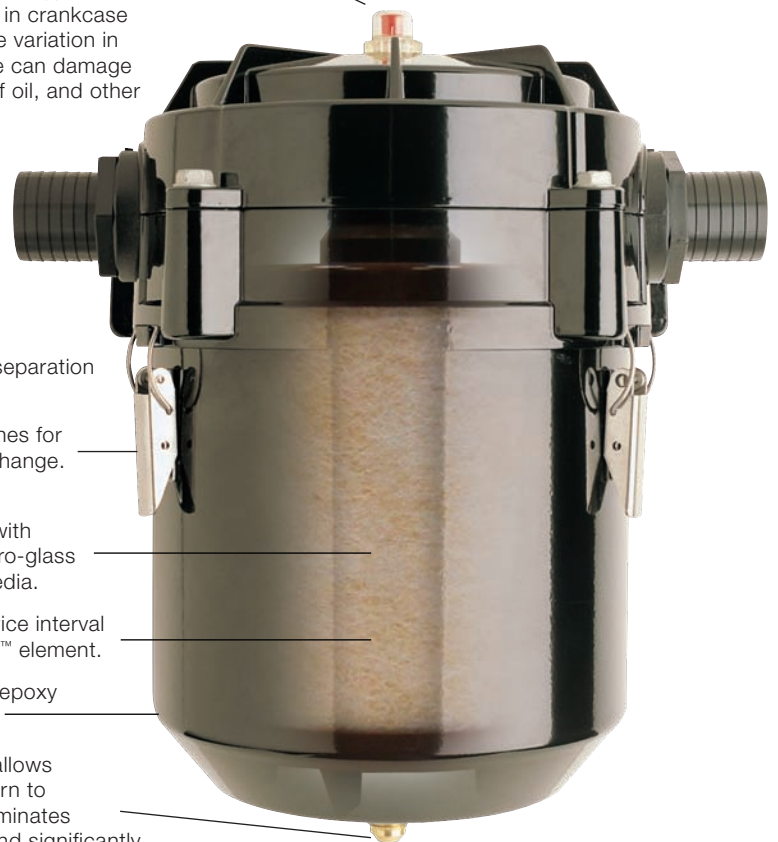
Replaceable high-performance filter with depth-loading, micro-glass fiber coalescing media.

Extended filter service interval from the Vaporbloc™ element.

Steel housing with epoxy powder coating.

Drain check valve allows collected oil to return to crankcase. This eliminates frequent draining and significantly reduces oil consumption.

Continuous operating temperature range is -40°F to +240°F (-40°C to 116°C).



Closed Crankcase Ventilation Specifications



	CCV1500	CCV3500	CCV4500	CCV6000	CCV8000	CCV12000
Maximum Flow Rate	1 CFM (28 LM)	3 CFM (85 LM)	10 CFM (283 LM)	20 CFM (566 LM)	40 CFM (1133 LM)	50 CFM (1416 LM)
Maximum Engine Rating	40 HP (30 KW)	120 HP (89 KW)	400 HP (298 KW)	800 HP (597 KW)	1600 HP (1193 KW)	2000 HP (1491 KW)
Inlet/Outlet Port Size	3/4" hose	3/4" hose	1 3/16"-12 STOR	1 5/8"-12 STOR	1 7/8"-12 STOR	1 7/8"-12 STOR
Weight	1.5 lbs (0.7 kg)	2.3 lbs (1.0 kg)	3.3 lbs (1.5 kg)	5.0 lbs (2.3 kg)	8.7 lbs (3.9 kg)	9.3 lbs (4.2 kg)
Replacement Filter Media Density: Low	CCV55365-04	N/A	CCV55248-04	N/A	N/A	N/A
Replacement Filter Media Density: High	N/A	CCV55304-08	CCV55248-08	CCV55274-08	CCV55222-08	CCV55222-12-08
Replacement Filter Media Density: Ultra	N/A	N/A	CCV55248-10	CCV55274-10	CCV55222-10	CCV55222-12-10
Housing Material	Glass-filled nylon and black powder epoxy-coated steel bracket.	Glass-filled nylon components.	Die cast head, glass-filled nylon and black powder epoxy-coated steel bowl.	Die cast head, glass-filled nylon and black powder epoxy-coated steel bowl.	Die cast head, glass-filled nylon and black powder epoxy-coated steel bowl.	Die cast head, glass-filled nylon and black powder epoxy-coated steel bowl.
Crankcase Pressure Regulator	Vacuum Limiting valve	Integral	Integral	Integral	Integral	Integral
Bypass/Change Indicator	N/A	Integral	Integral or Remote	Integral or Remote	Integral or Remote	Integral or Remote
Engine Block Check Valve Return Fitting	N/A	1/4" NPT	1/4" NPT	1/4" NPT	3/8" NPT	3/8" NPT
Swivel Fitting (Qty.)	N/A	#6 JIC (2 pcs.)	#6 JIC (2 pcs.)	#6 JIC (2 pcs.)	#8 JIC (2 pcs.)	#8 JIC (2 pcs.)
Oil Drain Hose I.D.	N/A	0.375 in. (0.95 cm)	0.375 in. (0.95 cm)	0.375 in. (0.95 cm)	0.5 in. (1.27 cm)	0.5 in. (1.27 cm)

Units can be manifolded to handle higher flow rates. Do not use CCV1500 in continuous duty applications.

Racor CV Systems

In an open system, the crankcase breather is connected to the Crankcase Ventilation (CV) filter assembly. The CV outlet is open to atmosphere. This configuration is simple to install and is an effective oil mist removal system for applications which allow crankcase venting to atmosphere. There may be some visible blow-by gases present from the CV outlet.

The only routine maintenance required for the CV system is filter replacement. Typical service life of the high-performance filter in diesel applications is 750 hours. Some variations in service life occur depending on load profile, engine wear condition, flow and aerosol mass concentration of crankcase emissions, and soot concentration.

CV units are designed to handle various crankcase flow rates up to 50 CFM. Traditionally, the crankcase flow rate can be calculated as follows: rated horsepower ÷ 20 = cubic feet per minute (CFM). This formula can only be used as a guide since recent improvements in piston design have produced engines with higher horsepower and lower blow-by flow rates. The blow-by flow rate of a worn engine, at time of overhaul, is generally double the flow rate when the engine is new. The flow rate of a worn engine is factored into the formula. Note: Specify left or right-hand inlet when ordering.

Open Crankcase Ventilation Features and Benefits

CV systems include a crankcase pressure regulator with integral bypass valve that minimizes variation in crankcase pressure. Excessive variation in crankcase pressure can damage seals, cause loss of oil, and other problems.

Choose left or right-hand inlet.

High-efficiency oil separation to 0.3 micron.

Stainless steel latches for tool-less filter change.

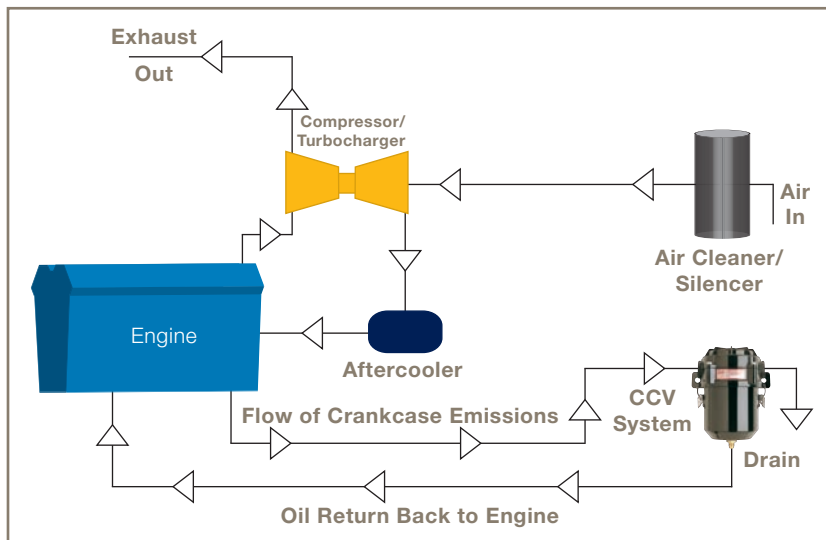
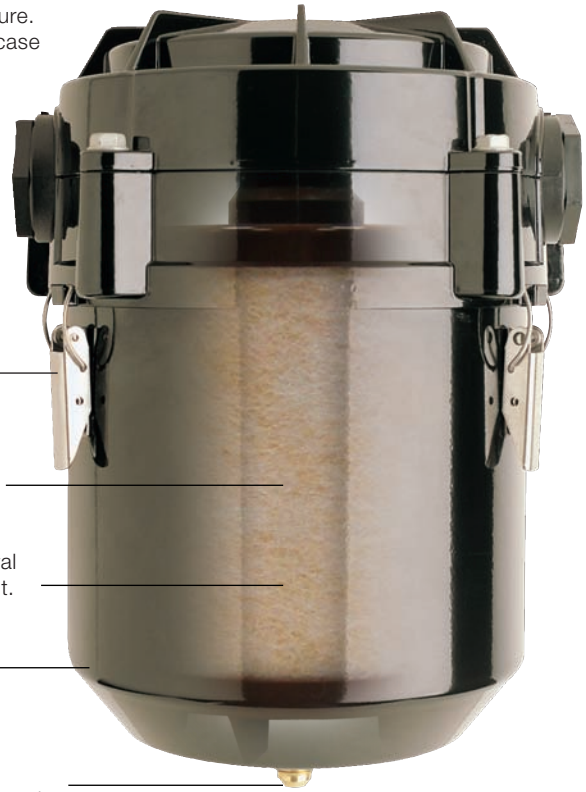
Replaceable high-performance filter with depth-loading, micro-glass fiber coalescing media.

Extended filter service interval from the Vaporbloc™ element.

Steel housing with epoxy powder coating.

Drain check valve allows collected oil to return to crankcase. This eliminates frequent draining and significantly reduces oil consumption.

Continuous operating temperature range is -40°F to +240°F (-40°C to 116°C).



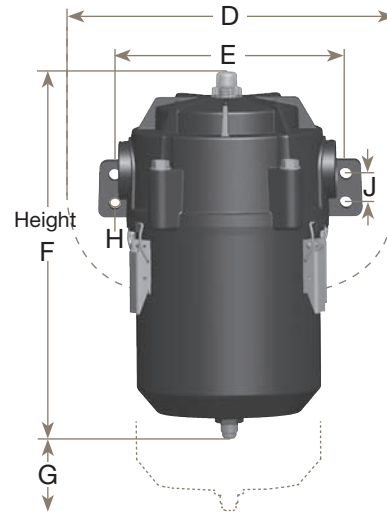
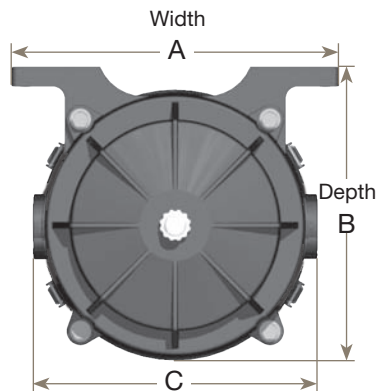
Open Crankcase Ventilation Specifications



	CV4501	CV6001	CV8001	CV12001
Maximum Flow Rate	10 CFM (283 LM)	20 CFM (566 LM)	40 CFM (1133 LM)	50 CFM (1416 LM)
Inlet/Outlet Port Size	1 3/16"-12 STOR	1 5/8"-12 STOR	1 7/8"-12 STOR	1 7/8"-12 STOR
Weight	3.3 lbs (1.5 kg)	5.0 lbs (2.3 kg)	8.7 lbs (3.9 kg)	9.3 lbs (4.2 kg)
Replacement Filter Media Density: High	CCV55248-08	CCV55274-08	CCV55222-08	CCV55222-12-08
Housing Material	Die cast head, glass-filled nylon and black powder epoxy-coated steel bowl.	Die cast head, glass-filled nylon and black powder epoxy-coated steel bowl.	Die cast head, glass-filled nylon and black powder epoxy-coated steel bowl.	Die cast head, glass-filled nylon and black powder epoxy-coated steel bowl.
Crankcase Pressure Regulator	Integral	Integral	Integral	Integral
Engine Block Check Valve Return Fitting	1/4" NPT	1/4" NPT	1/4" NPT	3/8" NPT
Swivel Fitting (Qty.)	#6 JIC (2 pcs.)	#6 JIC (2 pcs.)	#8 JIC (2 pcs.)	#8 JIC (2 pcs.)
Oil Drain Hose I.D.	0.375 in. (0.95 cm)	0.375 in. (0.95 cm)	0.5 in. (1.27 cm)	0.5 in. (1.27 cm)

Units can be manifolded to handle higher flow rates.

CCV and CV Dimensions



Dimension	1500 Series		3500 Series		4500 Series		6000 Series		8000 Series		12000 Series	
	IN	CM	IN	CM	IN	CM	IN	CM	IN	CM	IN	CM
A	8.0	20.3	7.1	18.1	7.2	18.3	8.6	21.8	10.6	26.9	10.6	26.9
B	5.0	12.7	6.3	16.0	5.6	14.2	7.3	18.5	9.3	23.6	9.3	23.6
C	3.6	9.1	5.5	14.0	5.6	14.2	7.1	18.0	9.1	23.1	9.1	23.1
D	8.2	20.8	7.1	18.1	7.5	19.1	11.3	28.7	13.3	33.8	13.3	33.8
E	7.0	17.8	6.0	15.2	6.0	15.2	7.5	19.1	9.5	24.1	9.5	24.1
F¹	5.0	12.7	7.0	17.8	9.3	23.6	12.0	30.5	13.9	35.3	18.0	45.7
G²	6.0	15.2	4.6	11.7	2.3	5.7	4.0	10.1	5.0	12.7	6.0	15.2
H	0.38	0.97	0.43	1.09	0.43	1.09	0.37	0.94	0.43	1.09	0.43	1.09
J³	N/A	N/A	N/A	N/A	N/A	N/A	0.93	2.4	1.06	2.7	1.06	2.7

¹ Dimension "F" is 0.75" less for CV Systems.

² Dimension "G" is the minimum filter removal clearance - allow more room if possible for ease of service. CCV1500 and CCV3500 Series filters are serviced from top.

³ Dimension "J" is not applicable on CCV1500, 3500, and 4500 assemblies because there are only two (2) mounting holes. All other units have four (4) mounting holes.

CCV™ Assemblies



CCV3500 Series – Maximum Flow 3 CFM

Part Number	Description	Inlet Side	Media Density	Inlet/Outlet Barb Size	Check Valve	Swivel Fitting (Qty.)	Hose I.D. (Qty.)
CCV3500-08L CCV3500-08R	Continuous with Internal Bypass	Left Right	High	3/4" Barb	1/4" NPT	#6 JIC (1 pc.)	3/8" (6 ft.)
CCV3501-08L CCV3501-08R	Continuous - Non-Bypass	Left Right	High	3/4" Barb	1/4" NPT	#6 JIC (1 pc.)	3/8" (6 ft.)
CCV3550-08L CCV3550-08R	Intermittent with Internal Bypass	Left Right	High	3/4" Barb	1/4" NPT	#6 JIC (1 pc.)	3/8" (3 ft.)
CCV3551-08L CCV3551-08R	Intermittent - Non-Bypass	Left Right	High	3/4" Barb	1/4" NPT	#6 JIC (1 pc.)	3/8" (3 ft.)
CCV55304-08 CCV55404-08	Replacement Filter	N/A	Intermittent Continuous	N/A	N/A	N/A	N/A

CCV4500 Series – Maximum Flow 10 CFM

Part Number	Description	Inlet Side	Media Density	Inlet/Outlet Thread Size	Check Valve	Swivel Fitting (Qty.)	Hose I.D. (Qty.)
CCV4500-08L CCV4500-08R	Bypass Assembly	Left Right	High	1-3/16"-12 SAE	1/4" NPT	#6 JIC (2 pcs.)	3/8" (3 ft.)
CCV4501-08L CCV4501-08R	Non-Bypass Assembly	Left Right	High	1-3/16"-12 SAE	1/4" NPT	#6 JIC (2 pcs.)	3/8" (3 ft.)
CCV4500-10L CCV4500-10R	Bypass Assembly	Left Right	Ultra	1-3/16"-12 SAE	1/4" NPT	#6 JIC (2 pcs.)	3/8" (3 ft.)
CCV4501-10L CCV4501-10R	Non-Bypass Assembly	Left Right	Ultra	1-3/16"-12 SAE	1/4" NPT	#6 JIC (2 pcs.)	3/8" (3 ft.)
CCV55248-08 CCV55248-10	Replacement Filter	N/A	High Ultra	N/A	N/A	N/A	N/A

CCV6000 Series – Maximum Flow 20 CFM

Part Number	Description	Inlet Side	Media Density	Inlet/Outlet Thread Size	Check Valve	Swivel Fitting (Qty.)	Hose I.D. (Qty.)
CCV6000-08L CCV6000-08R	Bypass Assembly	Left Right	High	1-5/8"-12 SAE	1/4" NPT	#6 JIC (2 pcs.)	3/8" (3 ft.)
CCV6001-08L CCV6001-08R	Non-Bypass Assembly	Left Right	High	1-5/8"-12 SAE	1/4" NPT	#6 JIC (2 pcs.)	3/8" (3 ft.)
CCV6000-10L CCV6000-10R	Bypass Assembly	Left Right	Ultra	1-5/8"-12 SAE	1/4" NPT	#6 JIC (2 pcs.)	3/8" (3 ft.)
CCV6001-10L CCV6001-10R	Non-Bypass Assembly	Left Right	Ultra	1-5/8"-12 SAE	1/4" NPT	#6 JIC (2 pcs.)	3/8" (3 ft.)
CCV55274-08 CCV55274-10	Replacement Filter	N/A	High Ultra	N/A	N/A	N/A	N/A

CCV™ Assemblies

CCV8000 Series – Maximum Flow 40 CFM

Part Number	Description	Inlet Side	Media Density	Inlet/Outlet Thread Size	Check Valve	Swivel Fitting (Qty.)	Hose I.D. (Qty.)
CCV8000-08L CCV8000-08R	Bypass Assembly	Left Right	High	1-7/8"-12 SAE	3/8" NPT	#8 JIC (2 pcs.)	1/2" (3 ft.)
CCV8000-08L CCV8000-08R	Non-Bypass Assembly	Left Right	High	1-7/8"-12 SAE	3/8" NPT	#8 JIC (2 pcs.)	1/2" (3 ft.)
CCV8000-10L CCV8000-10R	Bypass Assembly	Left Right	Ultra	1-7/8"-12 SAE	3/8" NPT	#8 JIC (2 pcs.)	1/2" (3 ft.)
CCV8001-10L CCV8001-10R	Non-Bypass Assembly	Left Right	Ultra	1-7/8"-12 SAE	3/8" NPT	#8 JIC (2 pcs.)	1/2" (3 ft.)
CCV55222-08 CCV55222-10	Replacement Filter	N/A	High Ultra	N/A	N/A	N/A	N/A

CCV12000 Series – Maximum Flow 50 CFM

Part Number	Description	Inlet Side	Media Density	Inlet/Outlet Thread Size	Check Valve	Swivel Fitting (Qty.)	Hose I.D. (Qty.)
CCV12000-08L CCV12000-08R	Bypass Assembly	Left Right	High	1-7/8"-12 SAE	3/8" NPT	#8 JIC (2 pcs.)	1/2" (3 ft.)
CCV12001-08L CCV12001-08R	Non-Bypass Assembly	Left Right	High	1-7/8"-12 SAE	3/8" NPT	#8 JIC (2 pcs.)	1/2" (3 ft.)
CCV12000-10L CCV12000-10R	Bypass Assembly	Left Right	Ultra	1-7/8"-12 SAE	3/8" NPT	#8 JIC (2 pcs.)	1/2" (3 ft.)
CCV12001-10L CCV12001-10R	Non-Bypass Assembly	Left Right	Ultra	1-7/8"-12 SAE	3/8" NPT	#8 JIC (2 pcs.)	1/2" (3 ft.)
CCV55222-12-08 CCV55222-12-10	Replacement Filter	N/A	High Ultra	N/A	N/A	N/A	N/A

CCV Fitting/Hose Kits

CCV4500 Series Assemblies

Part No.	Description
CCV55024	(1) 3/4" fitting, (1) 1" fitting, (1) 3/4" ID x 4 foot long hose, (1) 1" ID x 4 foot long hose, (4) clamps and (4) ties
CCV55025	(2) 1" fittings, (1) 1" ID x 8 foot long hose, (4) clamps and (4) ties
CCV55037	(1) 1-1/4" fitting, (1) 1" fitting, (1) 1-1/4" ID x 4 foot long hose, (1) 1" ID x 4 foot long hose, (4) clamps and (4) ties
CCV55038	(1) 3/4" fitting, (1) 1" fitting, (1) 3/4" ID x 6 foot long hose, (1) 3/4" Tee fitting, (1) 1" ID x 4 foot long hose, (8) clamps and (8) ties

CCV6000 Series Assemblies

Part No.	Description
CCV55046	(2) 1-1/4" fittings, (1) 1-1/4" ID x 8 foot long hose, (4) clamps and (4) ties
CCV55047	(2) 1-1/4" fittings, (1) 1-1/4" Tee fitting, (1) 1-1/4" ID x 10 foot long hose, (8) clamps and (8) ties
CCV55048	(2) 1-1/4" fittings, (1) 1-1/2" ID x 4 foot long hose, (1) bushing reducer, (1) 1-1/4" ID x 4 foot long hose, (4) clamps and (4) ties
CCV55049	(2) 1-1/4" fittings, (1) 1-1/2" ID x 5 foot long hose w/2" cuff, (1) bushing reducer, (1) 1-1/4" ID x 4 foot long hose, (4) clamps and (4) ties

CCV8000 and CCV12000 Series Assemblies

Part No.	Description
CCV55067	(2) 1-1/2" fittings, (1) 1-1/2" ID x 10 foot long hose, (1) bushing reducer, (4) clamps and (4) ties
CCV55068	(2) 1-1/2" fittings, (1) 1-1/2" Tee fitting, (1) 1-1/2" ID x 12 foot long hose, (2) bushing reducers, (8) clamps and (8) ties
CCV55069	(2) 1-1/2" fittings, (1) 1-1/2" ID x 5 foot long hose w/2" cuff, (1) bushing reducer, (1) 1-1/2" ID x 5 foot long hose, (4) clamps and (4) ties

Hose and Fitting Kits

Hose and fitting kits include inlet and outlet fittings and enough hose for a typical installation of a CCV assembly. CCV assemblies require special fittings only available from Racor. In order to determine the correct hose and fitting kit, you need to know the quantity and outside diameter of the engine breather(s). Hose and fitting kits are available in various sizes and configurations.

Bulk Hose Kits

Drain Hoses

Part Number	Push-Lok Hose Size
CCV836-6-25	3/8 I.D., 25' Roll
CCV836-6-50	3/8 I.D., 50' Roll
CCV836-8-25	1/2 I.D., 25' Roll
CCV836-8-50	1/2 I.D., 50' Roll

Inlet/Outlet Hose Kits

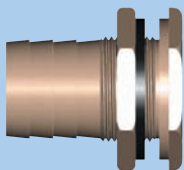
(available by the foot)

Part Number	Corrugated Hose Size (I.D.)
CV1034-01	3/4"
CV1100-01	1"
CV1114-01	1 1/4"
CV1112-01	1 1/2"

Hump Hose Fittings

These are designed to be used with existing air cleaner to turbo rubber adapters.

Part Number	Hose
CCV55540	0.75"
CCV55113	1.0"
CCV55114	1.25"
CCV55115	1.5"



Marine Air Filter Assemblies with Racor CCV™ Connector



The Racor Marine Air Filter and the Racor CCV can be connected to bring you effective air and crankcase filtration with one simple hose and clamp.

Marine Air Filter Model	Replacement Filter Part Number	Outlet Diameter	Length	Hose Barb	Diameter
AF M408512	AF M8040	4"	12"	1"	8.5"
AF M501012	AF M8050	5"	12"	1"	10"
AF M601212	AF M8060	6"	12"	1.25"	12"

All Marine Air Filters include Installation Instructions

Note: AF M601212 includes 1-1/4" x 1-1/2" Bushing (connects to 1-1/2" I.D. Hose)

CCV 90° Hose Adapters



Part Number	CCV55121
Use with Model	CCV6000
Hose Size	1-1/4" I.D.

Part Number	CCV55547-10
Use with Model	CCV8000

Part Number	CCV55547-02
Use with Model	CCV4500

CCV Hose Barbs



CCV Assembly	Hose Barb Part Number	Size
CCV4500	CCV55251	0.75"
CCV4500	CCV55250	1"
CCV4500	CCV55280	1.25"
CCV6000	CCV55089	0.75"
CCV6000	CCV55268	1.25"
CCV6000	CCV55121	1.25" (90°)
CCV6000	CCV55267	1.5"
CCV8000/CCV12000	CCV55218	1.5"

CCV8000 Conversion Kits

The CCV55613-08 and CCV55613-10 allow the CCV8000 to be converted to a CCV12000. The CCV12000 series offers 60% additional media. The CCV12000 series is great for applications where extra capacity is desired and immediate engine accessibility is not available. It allows for increased efficiency and longer service intervals. Kit includes element, wear spacer, o-rings, and CCV12000 bowl.



Part Number	Element
CCV55613-08	High Density
CCV55613-10	Ultra Density

CCV Heater Kits



CCV heater kits are an optional accessory for engine applications operating in severe cold weather. Emulsion and/or ice deposits on the element and inside the canister develop when the air blast from the radiator cools the CCV assembly. The emulsions are created by water vapors condensing and combining with oil droplets in the cold air stream of the CCV system. This build-up can prematurely choke the filter and reduce filter life. The heater band and insulating sleeve are placed over the CCV canister and insulate the assembly to prevent the emulsion build-up. Reduced filter life can be avoided by installing a Racor CCV Heater Kit.

CCV Assembly	Heater Kit Part Number
CCV4500	CCV55461
CCV6000	CCV55462
CCV8000	CCV55463

Kits include heater band and insulating sleeve only. CCV assembly sold separately.

Electronic Remote Filter Gauge



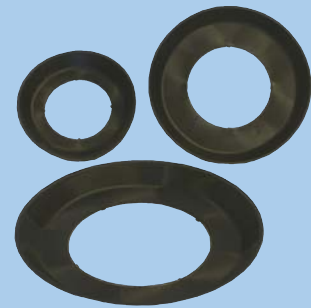
The CCV55615-01 electronic remote filter gauge features a green light that turns red at 8 inWc pressure indicating the need for filter changeout.

Remote Filter Gauge

Part Number: CCV55012
All Hardware Included



Heavy-Duty Wear Spacers



CCV Unit	Spacer Number
CCV4500	CCV55390
CCV6000	CCV55385
CCV8000	CCV55374
CCV12000	CCV55374

Tap Sleeves



Part Number	Size
CCV30100	3" x 1"
CCV40100	4" x 1"
CCV50125	5" x 1-1/4"
CCV60125	6" x 1-1/4"

Parker Filtration Group

Engineering, Manufacturing & Service Locations

Parker Worldwide Sales Offices

Contact Parker's worldwide service and distribution network by calling:

Filtration Group Headquarters

6035 Parkland Blvd.
Cleveland, Ohio, 44124-4141 USA
phone 216 896 3000
fax 216 896 4021
www.parker.com/filtration

Filtration and Separation Division Balston Products

242 Neck Road
Haverhill, MA 01835-0723 USA
phone 978 858 0505
fax 978 858 0625
www.parker.com/balston

Filtration and Separation Division Finite Filter Products

500 Glaspie Street
P.O. Box 599
Oxford, MI 48371-5132 USA
phone 248 628 6400
fax 248 628 1850
www.parker.com/finitefilter

Hydraulic Filter Division

16810 Fulton County Road #2
Metamora, OH 43540-9714 USA
phone 419 644 4311
fax 419 644 6205
www.parker.com/hydraulicfilter

Process Advanced Filtration Division

2340 Eastman Avenue
Oxnard, CA 93030 USA
toll free 877 784 2234
phone 805 604 3400
fax 805 604 3401
www.parker.com/processfiltration

Parker Hannifin GmbH & Co KG

Inselstrasse 5
D 70327 Stuttgart Wangen Germany
phone +49 0 711 7071 290 10
fax +49 0 711 7071 290 70
www.parker.com/racor

Racor Division Global Headquarters

3400 Finch Road
P.O. Box 3208
Modesto, CA 95353 USA
toll free 800 344 3286
phone 209 521 7860
fax 209 529 3278
www.parker.com/racor

Beaufort, SC, USA
phone 843 846 3200

Holly Springs, MS, USA
phone 662 252 2656

Parker Hannifin Industria e Comercio Ltda. Filtration Division

Estrada Municipal Joel de Paula, 900
Eugenio de Melo, São José dos Campos
CEP 12225 390 SP Brazil
phone +55 12 4009 3500
fax +55 12 4009 3529
www.parker.com/br

Parker Hannifin Shanghai Co. Ltd.

280 YunQiao Road
JinQiao Export Processing Zone
Shanghai 201206 China
phone +86 21 5031 2525
fax +86 21 5834 3714
www.parker.com/china

Parker Hannifin Thailand Co. Ltd.

1023 3rd Floor, TPS Building
Pattanakarn Road
Suanluang, Bangkok 10250 Thailand
phone +66 2717 8140
fax +66 2717 8148
www.parker.com/thailand

Parker Hannifin Corporation India

Plot EL 26, MIDC, TTC Industrial Area
Mahape, Navi Mumbai 400 709 India
phone +91 22 5613 7081 82 83 84 85
fax +91 22 2768 6618 6841
www.parker.com/india

Parker Hannifin UK Ltd.

Filter Division Europe
Shaw Cross Business Park
Churwell Vale
Dewsbury, WF12 7RD England
phone +44 (0) 1924 487000
fax +44 (0) 1924 487038
www.parker.com/eurofilt

Parker Hannifin Oy Filtration Division

Salmentie 260
FI-31700 Urjala as. Finland
phone +358 20 753 2500
fax +358 20 753 2501
www.parker.com/fi

domnick hunter Filter Division

Durham Road, Birtley
Co. Durham, DH3 2SF England
phone +44 (0) 191 410 5121
fax +44 (0) 191 410 2532
www.domnickhunter.com

Parker Korea Ltd.

777 Jung-Ri
Dongtan-Myeon, Hwaseong-City
Kyunggi-Do, 445-813 Korea
phone +82 31 379 2200
fax +82 31 377 9710
www.parker.com/korea

Parker Hannifin Africa Pty Ltd.

Parker Place, 10 Berne Avenue, Aeroport
Kempton Park, 1620 South Africa
phone +27 11 9610700
fax +27 11 3927213
www.parker.com/eu

Parker Hannifin Japan Ltd

626, Totsuka-cho, Totsuka-ku
Yokohama-shi, 244-0003 Japan
phone +81 45 870 1522
fax +81 45 864 5305
www.parker.com/japan

Argentina • +54 3327 44 4129

Australia • +61 2 9 634 7777

Austria • +43 2622 23501 0

Belgium • +32 67 280900

Brazil • +55 12 4009 3500

Canada • 1 800 272 7537

Central & South America/Caribbean • 1 305 470 8800

Chile • +56 2 623 1216

China • +86 21 6445 9339

Czech Republic • +42 0 2 830 85 221

Denmark • +45 0 43 56 04 00

Finland • +358 03 54100

France • +33 0 254 740304

Germany • +49 0 2131 4016 0

Hong Kong • +852 2 428 8008

Hungary • +36 1 220 4155

India • +91 22 5613 7081 82 83 84 85

Italy • +39 02 451921

Japan • +81 3 6408 3900

Jordan • +962 6 810679

Korea Choongnam • +82 41 583 1410

Korea Kyoungnam • +82 55 389 0100

Korea Seoul • +82 2 559 0420

Mexico • 1 800 272 7537

Netherlands • +31 0 541 585000

New Zealand • +64 09 574 1744

Norway • +47 64 91 1000

Poland • +48 22 863 4942

Singapore • +65 6261 5233

South Africa • +27 11 961 0700

Spain • +34 91 675 7300

Sweden • +46 8 5979 5000

Switzerland • +41 0 22 307 7111

Taiwan • +886 2 2298 8987

Thailand • +66 2717 8140

United Arab Emirates • +971 2 6788587

United Kingdom • +44 0 1924 487000

USA • 1 800 272 7537

Venezuela • +58 212 238 54 22